



DIONICS, INC.

65 Rushmore Street
Westbury, NY 11590

Phone: (516) 997-7474

Fax: (516) 997-7479

Website: www.dionics-usa.com

GAS DISCHARGE DISPLAY SEGMENT DRIVERS

DI-230A

DI-240A

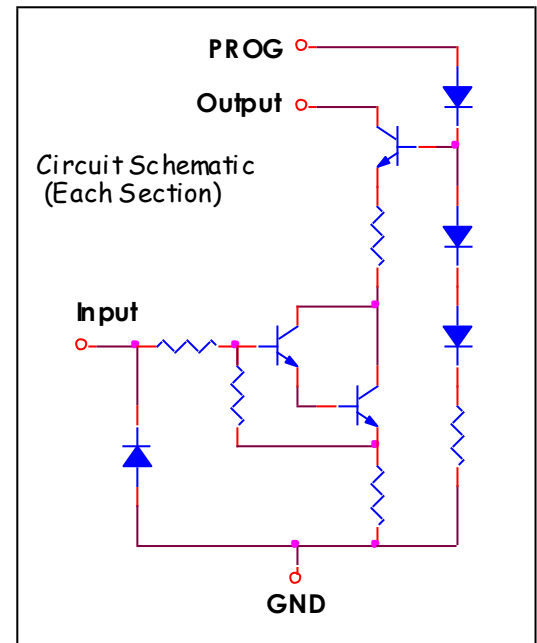
General Description:

The DIONICS DI-230A / DI-240A Series circuits are designed to drive gas discharge display devices from signals originating from MOS or TTL circuitry. Each output is a switched, programmable constant current sink with a voltage compliance of 80 or 125 Volts.

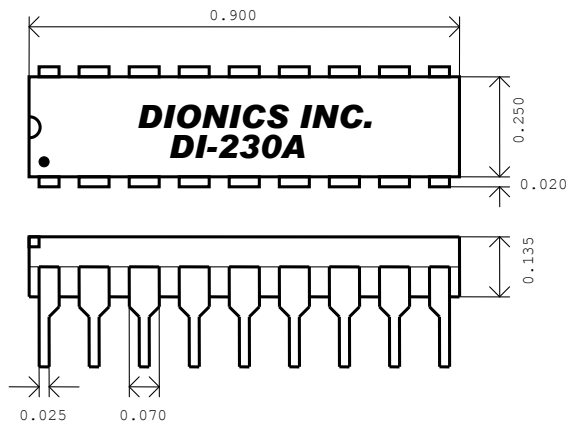
These circuits provide for simple interfaces with displays such as the Beckman, Burroughs Panaplex[®], Cherry or equivalents.

Features:

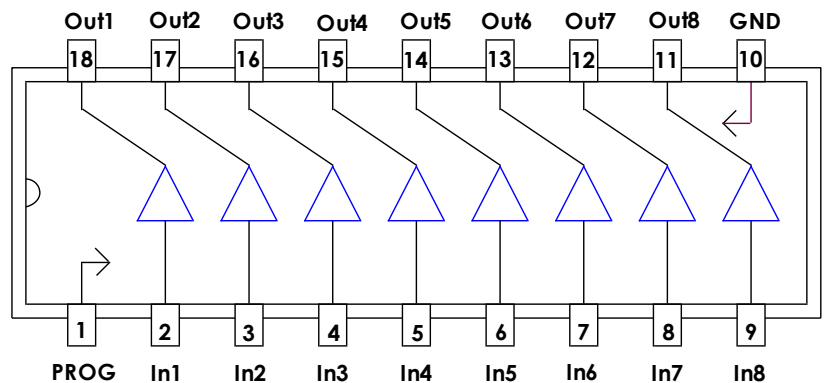
- ✓ High Breakdown Voltage: 80V or 125V.
- ✓ High Input Voltage Capability: 40V
- ✓ TTL or MOS Compatible
- ✓ All Output Currents Programmed with Single Resistor
- ✓ Requires Few Additional Components
- ✓ Equivalent To DM-8889, MC3491, ITT-505
- ✓ DC Restoring Input Diode



Package Layout:



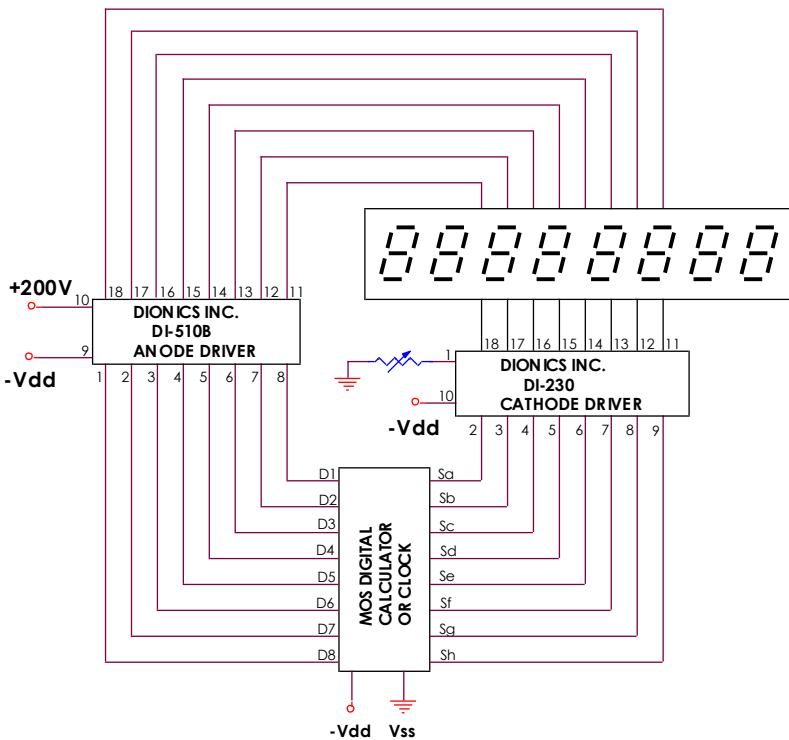
Pin Connections



Absolute Maximum Rating ($T_a = 25^\circ\text{C}$)				
Characteristic	Symbol	Notes	Limits	Units
Input Voltage	V_{in}	Measured With Respect to GND Terminal	40	V
Output Current	I_o		5	mA
Output Voltage DI-230	V_o	Measured With Respect to GND Terminal	80	V
Output Voltage DI-240	V_o	Measured With Respect to GND Terminal	125	V
Power Dissipation DI-230; DI-240	P_D	Derate at 8 mW/ $^\circ\text{C}$ Above 25°C Ambient	800	mW
Storage Temperature	T_s		-55 to +125	$^\circ\text{C}$
Operating Temperature*	T_o		0 to +70	$^\circ\text{C}$

Electrical Characteristics ($T_a = 25^\circ\text{C}$)						
Parameter	Symbol	Conditions	Min.	Typ.	Max.	Units
Output Saturation Voltage	V_o (SAT)	$I_o=1\text{mA}$; $V_i=3.5\text{V}$; $R_p=27\text{k}\Omega$; $V_p=10\text{V}$		5		V
Output Leakage Current	I_o (OFF)	$V_o = \text{Rated Voltage}$; $V_i = 0.4\text{V}$; $R_p = 27\text{k}\Omega$; $V_p = 10\text{V}$		0.1	10	μA
Output Current Match	$\Delta I_o / I_o$	$V_o=60\text{V}$; $V_i=3.5\text{V}$; $R_p=27\text{k}\Omega$; $V_p=10\text{V}$		± 5	± 10	%
Output Current	I_o (ON)	$V_o=60\text{V}$; $V_i=3.5\text{V}$; $R_p=27\text{k}\Omega$; $V_p=10\text{V}$	1.1	1.2	1.5	mA
Input Current	I_i	$V_i = 7.0\text{V}$	250	370	500	μA

Typical Application:



CHERRY
Part NO.
W08-002

