



**DIONICS, INC.**

65 Rushmore Street  
Westbury, NY 11590

Phone: (516) 997-7474

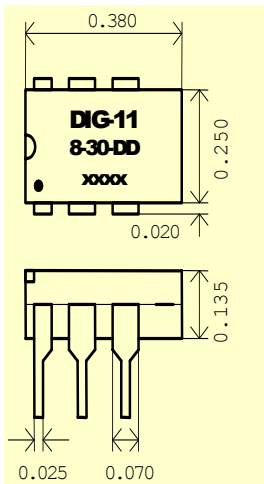
Fax: (516) 997-7479

Website: www.dionics-usa.com

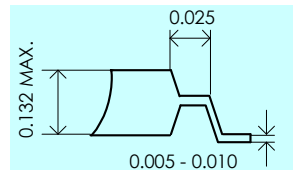
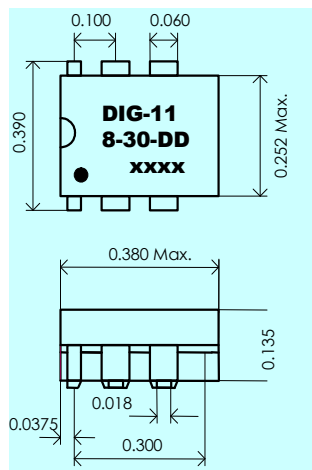
## Opto-Isolated MOSFET/IGBT Driver Plastic Package Option

DIG-11-06-030 DIG-11-06-150 DIG-11-08-050  
DIG-11-8-30-DD DIG-11-15-30-DD

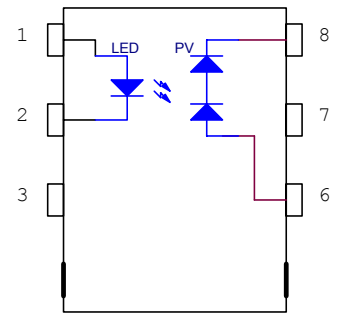
Standard DIP Package



Surface Mount DIP Package

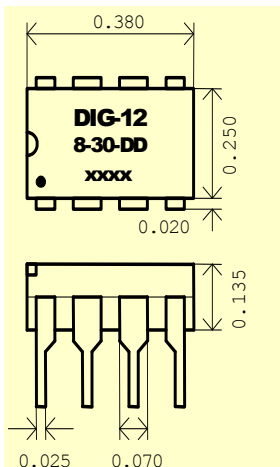


Equivalent Circuit

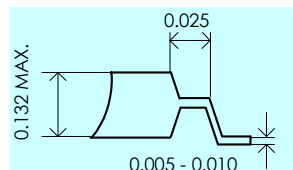
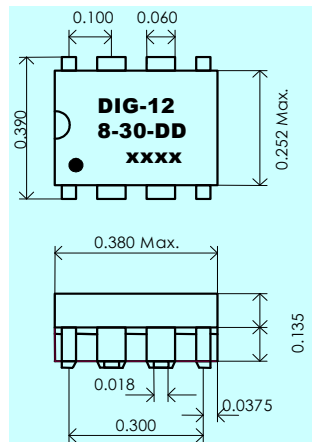


DIG-12-06-025 DIG-12-06-100 DIG-12-06-250  
DIG-12-08-010 DIG-12-08-045 DIG-12-8-30-DD

Standard DIP Package



Surface Mount DIP Package



Equivalent Circuit

